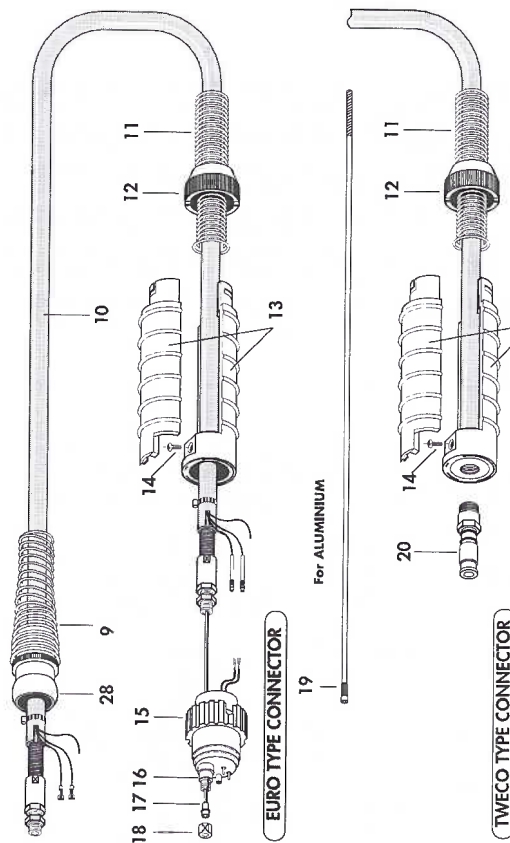
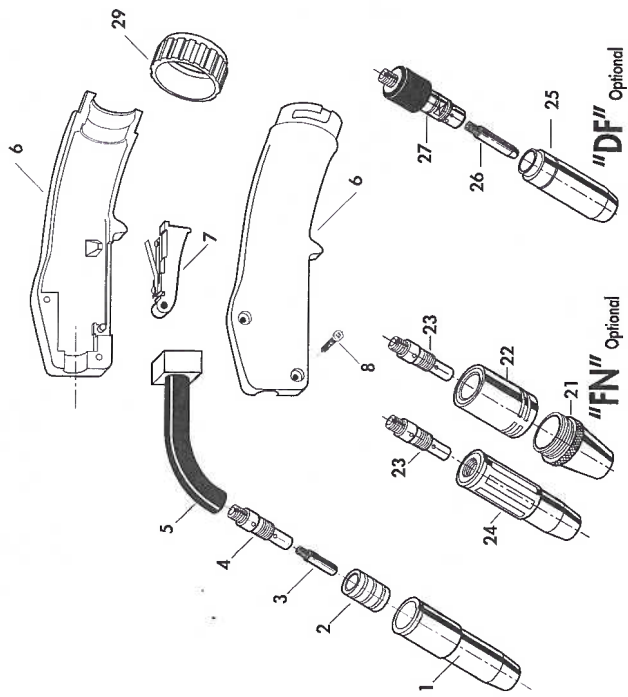


MIG-MAG TWE2

TORCIA RAFFREDDATA AD ARIA • AIR COOLED TORCH • TORCHE REFROIDI PAR AIR • LUFTGEKÜHLT BRENNER • ANTORCHA REFRIGERADA POR AIRE • ΑΕΡΟΨΥΚΤΗ ΤΣΙΜΙΤΙΑ • LUFTKØLET BRÆNDER • LUFTKYLD MIG/MAG-SVETSPISTOL • POLTIN IL MAJÄÄHTYTS



N° POS. N° COD.

- 1 (*) 22-50 ø i. 13
- 1 22-62 ø i. 16
- 2 32
- 3 14H-35 ø 0.8
- 3 (*) 14H-40 ø 1.0
- 3 14H-45 ø 1.2
- 4 52
- 5 116.103.506
- 6 137.100.501
- 7 146.101.102
- 8 181.103.105
- 9 141.106.110
- 10 108.350.505 m 3
- 10 108.350.505 m 4
- 11 141.106.107
- 12 127.105.101
- 13 156.101.103
- 14 181.106.101
- 15 127.102.102
- 16 142.105.501 fixed pins
- 17 42-3035-15A ø 0.8/0.9 m 4,5
- 17 (*) 42-4045-15A ø 1.0/1.2 m 4,5
- 18 117.101.501
- 19 134.110.303 ø 0.8/1.0 m 3 Al Teflon
- 19 134.110.403 ø 0.8/1.0 m 4 Al Teflon
- 19 134.120.303 ø 1.0/1.2 m 3 Al Teflon
- 19 134.120.403 ø 1.0/1.2 m 4 Al Teflon
- 19 134.030.403 ø 0.8/1.0 m 4 Al Carbo
- 19 134.090.403 ø 1.2/1.5 m 4 Al Carbo
- 20 350-174HF
- 21 24CT-50-S ø i. 13
- 21 24CT-62-S ø i. 16
- 22 34CT
- 23 52FN
- 24 23-50 ø i. 13
- 24 23-62 ø i. 16
- 25 SW23-15 ø i. 15
- 25 SW23-12 ø i. 12
- 26 147.010.108 ø i. 0.8 CU M8
- 26 147.010.110 ø i. 1.0 CU M8
- 26 147.010.112 ø i. 1.2 CU M8
- 26 147.020.108 ø i. 0.8 CU-CR M8
- 26 147.020.110 ø i. 1.0 CU-CR M8
- 26 147.020.112 ø i. 1.2 CU-CR M8
- 28 118.102.510
- 29 156.102.106
- 29 127.108.101

(*) Standard

TuonV Isimäddv	TOOKIS MODEL	BRENDER MODEL	BRÄNNARE MODEL	POLTIN- TYYPPI	Code	Argon Argon/CO ₂ (80/20)	CO ₂	290	250	DC	0,8-1,2	10-15	ario - air Luft - aire
TuonV Isimäddv	TOOKIS MODEL	BRENDER MODEL	BRÄNNARE MODEL	POLTIN- TYYPPI	Code	Argon Argon/CO ₂ (80/20)	CO ₂	290	250	DC	0,8-1,2	10-15	ario - air Luft - aire
TWE2.3.F spring pins					161.550.307			3					
TWE2.4.F spring pins					161.550.407			4					

MODELLO TORCIA	TORCH MODEL	MODELE TORCHE	BRENNER MODEL	MODELO ANTORCHA	Code	CO ₂	Argon Argon/CO ₂ (80/20)	CO ₂	290	250	DC	0,8-1,2	10-15	ario - air Luft - aire
MODELLO TORCIA	TORCH MODEL	MODELE TORCHE	BRENNER MODEL	MODELO ANTORCHA	Code	CO ₂	Argon Argon/CO ₂ (80/20)	CO ₂	290	250	DC	0,8-1,2	10-15	ario - air Luft - aire
TWE2.3.F spring pins					161.550.307				3					
TWE2.4.F spring pins					161.550.407				4					